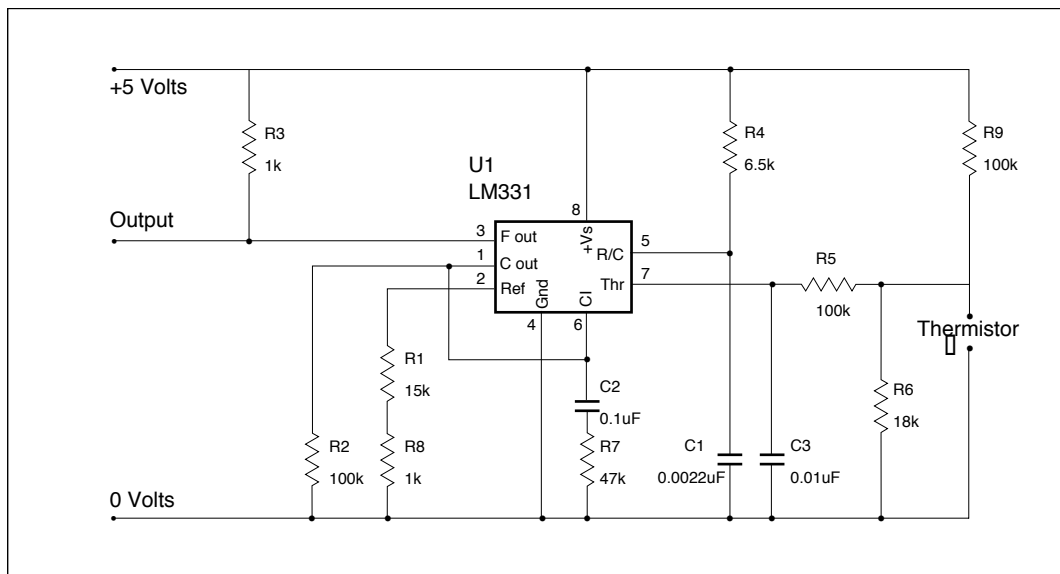


Appendix 9.1 Voltage to Frequency (V to F) Converter for Thermistor Loggers

Schematic diagram



Notes:

U1 is National Semiconductor precision voltage to frequency converter LM331

All resistors 1% tolerance

All capacitors temperature compensating type